

ALF40

High Performance Discreet Bass Enhancer

DATASHEET Rev. 2.4 | 01-05-2020 | E&OE

amina

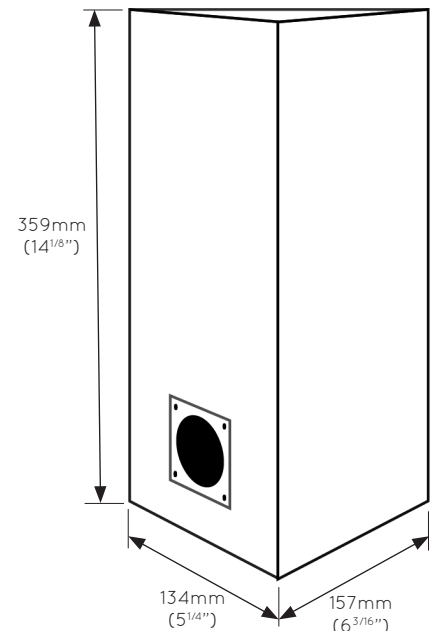
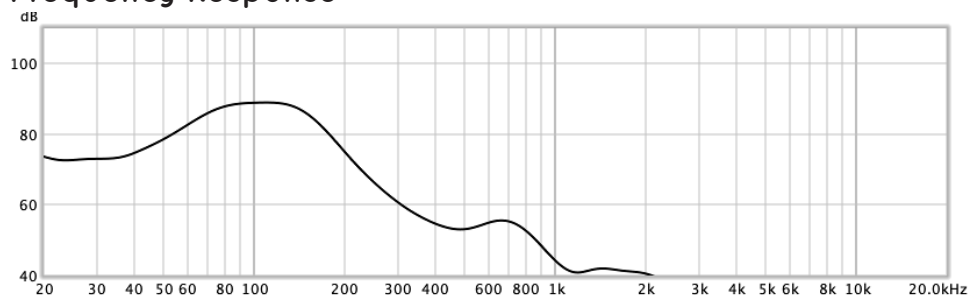
Product Description

Utilising a unique adjustable ported design, the ALF40 bass-enhancer easily blends into any room environment by mounting within walls, ceilings, cabinets or other joinery with minimal visual impact. This passive 30W subwoofer can deliver 106dB SPL/1m down to 65 Hz making the ALF40 discreet bass-enhancer ideal for distributed audio systems. The ALF40 is provided with metal brackets for mounting directly to studs/joists, and is designed to be connected directly to a dedicated full range amplifier output. No additional filtering is required when used in conjunction with Amina Invisible loudspeakers.

Example Applications

ALF40 may be installed in wall/ceiling cavities where there is a minimum 134mm depth. The adjustable port tube can be allows the ALF40 to vent straight into the room rather than into the cavity. ALF40 may also be installed into cabinetry, behind kickboards, under furniture or even in-room.

Frequency Response



Specifications

ALF40

Nominal impedance	8 Ohms
Power handling (continuous/peak)	30W/60W
Sensitivity (@1m/2.83Vrms)	88dB (half space)
Frequency response (-6dB)	65Hz - 155Hz (18dB/octave band-pass)
Max SPL	103dB @ 1m (half space)
Electrical connection	Push button spring terminals
Dimensions	359mm x 157mm x 134mm (14 ^{1/8} x 6 ^{3/16} x 5 ^{1/4} ")
Product weight	3.2kg (7lb 1oz)
Port locations	Side or end-firing port locations.
Port diameter (inner/outer)	39mm (1 ^{1/2} ") / 43mm (1 ^{11/16} ")
Port tube length adjustment	80mm (3 ^{3/16} ")
Manufacturer limited warranty	3 years

Amina Technologies Limited

Cirrus House, Glebe Road, Huntingdon, Cambridgeshire, PE29 7DL, England
T: +44 (0) 1480 354390 | E: info@aminasound.com | W: www.aminasound.com